



OWNER'S MANUAL

WATER PURIFIER

Read this owner's manual thoroughly before operating the appliance and keep it handy for reference at all times.

EN ENGLISH



MFL66990826
Rev.00_032119

Refer to the owner's manual on LG website for more detailed information.

Copyright © 2019 LG Electronics Inc. All Rights Reserved

www.lg.com

TABLE OF CONTENTS


This manual may contain images or content different from the model you purchased. This manual is subject to revision by the manufacturer.

SAFETY INSTRUCTIONS	3
IMPORTANT SAFETY INSTRUCTIONS	3
INSTALLATIONS	9
Before Installation	9
OPERATION	10
Product Features.....	10
Exterior.....	10
Before Use	12
Control Panel	13
MAINTENANCE	15
Cleaning the Appliance	15
TROUBLESHOOTING	17

SAFETY INSTRUCTIONS

EN

The following safety guidelines are intended to prevent unforeseen risks or damage from unsafe or incorrect operation of the appliance. The guidelines are separated into 'WARNING' and 'CAUTION' as described below.

 This symbol is displayed to indicate matters and operations that can cause risk. Read the part with this symbol carefully and follow the instructions in order to avoid risk.

WARNING

This indicates that the failure to follow the instructions can cause serious injury or death.

CAUTION

This indicates that the failure to follow the instructions can cause the minor injury or damage to the product.

IMPORTANT SAFETY INSTRUCTIONS

WARNING

To reduce the risk of explosion, fire, death, electric shock, injury or scalding to persons when using this product, follow basic precautions, including the following:

Children in the Household

- This appliance is not intended for use by persons (including children) with reduced physical, sensory or mental capabilities, or lack of experience and knowledge, unless they have been given supervision or instruction concerning use of the appliance by a person responsible for their safety. Children should be supervised to ensure that they do not play with the appliance.

Installation

- Ensure that the socket outlet is properly grounded, and that the earth pin on the power cord is not damaged or removed from the power plug. For more details on grounding, inquire at an LG Electronics customer information centre.
- This appliance is equipped with a power cord having an equipment grounding conductor and a grounding power plug. The power plug must be plugged into an appropriate socket outlet that is installed and grounded in accordance with all local codes and ordinances.
- If the power cord is damaged or the hole of the socket outlet is loose, do not use the power cord and contact an authorized service centre.
- Do not plug the appliance into a multi socket adapter which does not have a power cable (mounted). Failure to do so may result in fire.
- Do not modify or extend the power cable.
- The appliance should be connected to a dedicated power line which is separately fused.
- Do not use a multi socket outlet which is not properly grounded (portable). In case of using a properly-grounded multi socket outlet (portable), use the multi socket outlet with the current capacity of the power code rating or higher and use the multi socket outlet only for the appliance.
- Install the appliance in a place where is easy to unplug the power plug of the appliance.
- Be careful not to point the power plug up or let the appliance lean against the power plug.
- Install the appliance on a firm and level floor.
- Do not install the appliance in a damp and dusty place.
- Do not install or store the appliance in any outdoor area, or any area that is subject to weathering conditions such as direct sunlight, wind, rain, or temperatures below freezing.
- Do not place the appliance in direct sunlight or expose it to the heat from heating appliances such as stoves or heaters.

Operation

- Do not use the appliance for any purpose (medical or experimental materials or shipping) other than any domestic household food storage use.
- Unplug the power plug during a severe thunderstorm or lightening or when it is not used for a long period of time.
- Do not touch the power plug or the appliance controls with wet hands.
- Do not bend the power cable excessively or place a heavy object on it.
- If water penetrates electrical parts of the appliance, disconnect power plug and contact an LG Electronics customer information centre.
- Do not place hands or metallic objects inside the area emitting the cold air, cover or heat releasing grille on the back.
- Do not apply excessive force or impact to the back cover of the appliance.
- Do not place heavy or fragile objects, containers filled with liquid, combustible substances, flammable objects (such candles, lamps, etc.), or heating devices (such as stoves, heaters, etc.) on the appliance.
- If there is a gas leakage (isobutane, propane, natural gas, etc.), do not touch the appliance or power plug and ventilate the area immediately. This appliance uses a refrigerant gas (isobutane, R600a). Although it uses a small amount of the gas, it is still combustible gas. Gas leakage during appliance transport, installation or operation can cause fire, explosion or injury if sparks are caused.
- Do not use or store flammable or combustible substances (ether, benzene, alcohol, chemical, LPG, combustible spray, insecticide, air freshener, cosmetics, etc.) near the appliance.
- Immediately unplug the power plug and contact an LG Electronics customer information centre if you detect a strange sound, odour, or smoke coming from the appliance.
- Do not damage the pipes of refrigerant circuit.

Maintenance

- Disconnect the power cord before cleaning the appliance.
- Securely plug the power plug in the socket outlet after completely removing any moisture and dust.
- Never unplug the appliance by pulling on the power cable. Always grip the power plug firmly and pull straight out from the socket outlet.
- Do not spray water or inflammable substances (toothpaste, alcohol, thinner, benzene, flammable liquid, abrasive, etc.) over the interior or exterior of the appliance to clean it.
- Do not clean the appliance with brushes, cloths or sponges with rough surfaces or which are made of metallic material.
- Only qualified service personnel from LG Electronics service centre should disassemble, repair, or modify the appliance. Contact an LG Electronics customer information centre if you move and install the appliance in a different location.
- Do not use a hair drier to dry the inside of the appliance or place a candle inside to remove the odours.
- Do not use mechanical devices or other means to accelerate the defrosting process.

Disposal

- Dispose of all packaging materials (such as plastic bags and styrofoam) away from children. The packaging materials can cause suffocation.

Technical Safety

- Keep ventilation openings, in the appliance enclosure or in the built-in structure, clear of obstruction.
- Do not use electrical appliances inside the appliance.
- The refrigerant and insulation blowing gas used in the appliance require special disposal procedures. Consult with service agent or a similarly qualified person before disposing of them.

- Refrigerant leaking out of the pipes could ignite or cause an explosion.
- The amount of refrigerant in your particular appliance is shown on the identification plate inside the appliance.
- Never start up an appliance showing any signs of damage. If in doubt, consult your dealer.
- This appliance is intended to be used in household and similar applications only. It should not be used for commercial, or catering purposes, or in any mobile application such as a caravan or boat.
- Do not store explosive substances such as aerosol cans with a flammable propellant in this appliance.

Risk of Fire and Flammable Materials



This symbol alerts you to flammable materials that can ignite and cause a fire if you do not take care.

- This appliance contains a small amount of isobutane refrigerant (R600a), but it is also combustible. When transporting and installing the appliance, care should be taken to ensure that no parts of the refrigerating circuit are damaged.
- If a leak is detected, avoid any naked flames or potential sources of ignition and air the room in which the appliance is standing for several minutes. In order to avoid the creation of a flammable gas air mixture if a leak in the refrigerating circuit occurs, the size of the room in which the appliance is used should correspond to the amount of refrigerant used. The room must be 1 m² in size for every 8 g of R600a refrigerant inside the appliance.
- When positioning the appliance, ensure the supply cord is not trapped or damaged.
- Do not locate multiple portable socket-outlets or portable power supplies at the rear of the appliance.

⚠ CAUTION

To reduce the risk of minor injury to persons, malfunction, or damage to the product or property when using this product, follow basic precautions, including the following:

Installation

- Do not tilt the appliance to pull or push it when transporting.
- Connect the water pipe of the appliance to potable water only.
- Water other than potable water can increase the risk of exposure to disease. Other types of water can reduce the appliance life or cause malfunctions.
- Hot water may splatter, so install the drain hose carefully to the drain.
- Make sure not to get a body part such as a hand or foot stuck while moving the appliance.

Operation

- Prevent animals from nibbling on the power cable or water hose.
- Do not use a thin crystal cup or chinaware when dispensing.
- The qualified service personnel should replace the filter with a LG standard filters according to the replacement period. Older filters can multiply bacteria or change the taste of the water. The filter replacement period varies according to the usage, place of usage, season, and water quality.
- The qualified service personnel should replace the filter.
- Be sure to use a cup or container that has a handle when you use the hot water function.
- Do not allow pets, or any persons to hang from or climb on the appliance.

Before Installation

Before installing the appliance, check the following information to make sure that the appliance should be installed correctly. Failure to follow the instruction may cause malfunctions.

- Keep the clearance of over 10 cm between all sides (rear, right and left sides) of the appliance and the wall for proper ventilation.
- When connecting the water hose, do not connect it to the hot water tap.
- Check the pipe and hose connection for leaks. Water can leak and cause electric shock or injury.
- When transporting the appliance, do not tilt the appliance over 30 degrees.
- Install the appliance inside with a surrounding temperature of over 5 °C and less than 35 °C.
- Connect the appliance to a drinking water tap with a water pressure of 147 - 780 kPa (1.5 - 7.9 kgf/cm²).
- When installing the appliance, avoid the location close to a toilet or in front of air conditioner.
- Connect the power supply cord (or plug) to the outlet. Don't double up with other appliances on the same outlet.
- After installing the appliance, connect the power plug into a socket outlet. Before moving and discarding the appliance, disconnect the plug from the socket outlet.

Outlet with a ground terminal

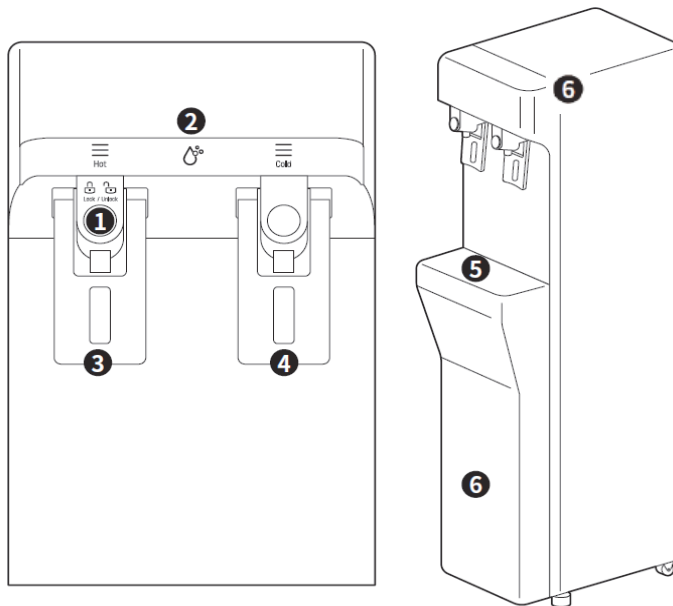
- If the outlet has a ground terminal, no additional grounding is required.

Outlet without a grounding terminal

- Check if the circuit breaker is installed. If not, ask a special technician to install it before using the appliance.

Product Features

Exterior



- 1 Lock/Unlock button**
This button is used to lock or unlock dispensing hot water
- 2 Filter icon**
Indicates the filter replacement period.
The blue color indicates that the filter is usable.
The orange color indicates that the filter should be replaced.
- 3 Hot water lever**
It is used for dispensing hot water.
Hot water cannot be dispensed continuously for safety reasons.
Lifting the lever of hot water is locked in case of dispensing hot water continuously.
- 4 Cold water lever**
It is used for dispensing cold water.
Cold water can be dispensed continuously by lifting the lever.
- 5 Water tray**
This is where a water bottle or container can be placed and filled.
- 6 Upper cover**
Protects the filter.

Before Use

Notes for Operation

- Open the water supply valve. The appliance operates normally when water is supplied properly at a consistent pressure that is within the operating requirement.
- When the hot water and cold water temperature icons are turned off, check if the power supply has been disconnected due to power failure or any other reasons.
- It is important to replace the filter periodically in order to drink clean water. If an expired filter is used, the water taste may be changed and the filtration function may be degraded.
- If the appliance is not used for a long period of time, discharge hot water, cold water for 10 minutes each before using the appliance. If water remains for a long period of time, there may have bacteria in water and water taste can be changed.
- Do not use filtered water to replace water in a humidifier or fishbowl. Leaving filtered water for a long period of time may multiply the bacteria.
- Use the appliance only after closing the appliance cover completely. Otherwise, insects or other foreign substances may get in.
- When heating or freezing water, white sediment may appear due to minerals in water. These minerals are harmless to humans.
- Water may remain inside the appliance due to the inspection process carried out while manufacturing the appliance. It does not mean that the appliance has been used before and is safe to use.
- When dispensing hot water, small bursts of water and steam are emitted. When dispensing hot water to a cup, place the cup near the outlet as close as possible.
- Before and while dispensing water, the appliance may make a noise as it heats water instantaneously.
- Operate the safety valve installed on the appliance regularly so that the safety valve can remove the lime sediment.

WARNING

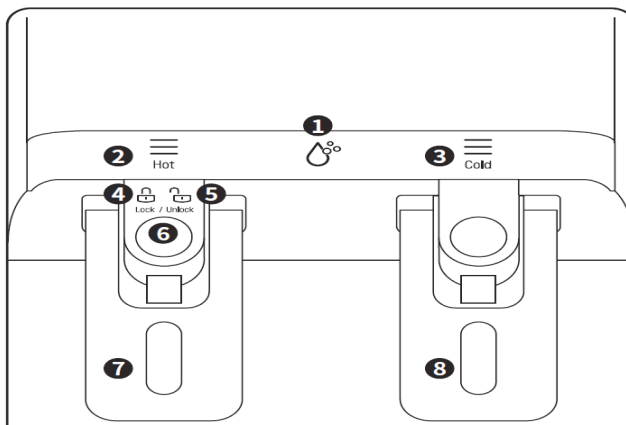
- When steam may rise from the appliance and water supply valve is locked,
 - Dispense hot water
 - Stop dispensing hot water
 - Dispense water
 - Stop dispensing water
- Do not connect the equipment that reduces pressure on the hot water tank pipe of the appliance.
- Children should be supervised when children use the appliance otherwise the children may get burn by pressing the button for hot water on the top of the appliance.
 - This appliance can be used by children aged from 8 years and above and persons with reduced physical, sensory or mental capabilities or lack of experience and knowledge if they have been given supervision or instruction concerning use of the appliance in a safe way and understand the hazards involved
 - Children shall not play with the appliance
 - Cleaning and user maintenance shall not be made by children without supervision

Suggestion for Energy Saving

- If the appliance is not used for a long time, unplug the power plug and drain the remaining water completely inside the appliance.
- If the hot water function is not used for a long time, turn off the hot water function.

Control Panel

Control Panel Features



- | | |
|--|--|
| <p>1 Filter icon
Indicates the filter replacement period.</p> | <p>6 Lock/Unlock button
This button is used to lock or unlock the function of dispensing hot water.</p> |
| <p>2 Hot water temperature icon (Red)
The hot water temperature is displayed in 3 levels according to the temperature.</p> | <p>7 Hot water lever
This lever is used to dispense hot water.</p> |
| <p>3 Cold water temperature icon (Blue)
The cold water temperature is displayed in 3 levels according to the temperature.</p> | <p>8 Cold water lever
This lever is used to dispense cold water.</p> |
| <p>4 Hot water lock lamp (Red)
This indicates that hot water cannot be dispensed when the hot water lever is operated.</p> | |
| <p>5 Hot water unlock lamp (Red)
This indicates that hot water can be dispensed when the hot water lever is operated.</p> | |

Notes for Using the Control Panel

- The control panel will be turned on,
 - when the power is turned on.
 - when the button is pressed.
 - when a lever is pushed.
- The control panel will dim automatically for energy saving.
 - When 1 minute has passed after turning on the power
 - When any button is not pressed for 1 minute after a desired button is pressed
- If you press a button even after the control panel has dimmed, the relevant function will operate.

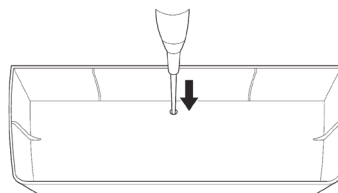
NOTE

- The actual control panel may differ from model to model.
- The control panel is illuminated,
 - when the appliance is turned on.
 - when the button is pressed.
 - when the lever is pushed.
- The control panel is automatically illuminated in order to save energy in the following cases.
 - For 1 minute after turning on the appliance
 - when any button is not pressed for 1 minute after the button on the control panel is pressed.

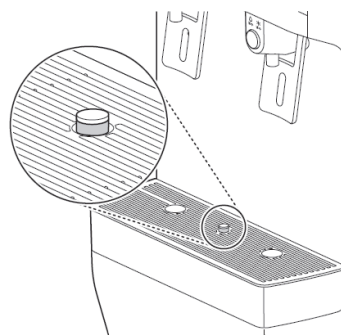
Using the Water Tray

The water can be drained via drain hose by drilling a hole in the center of the water tray.

- When connecting the drain hose by drilling a hole in the water tray, use a big container to drain the water.



- When the water tray is filled with the water, the buoy will come up. If the orange buoy appears, drain the water in the water tray
- Drain carefully the water not to spill on the floor.

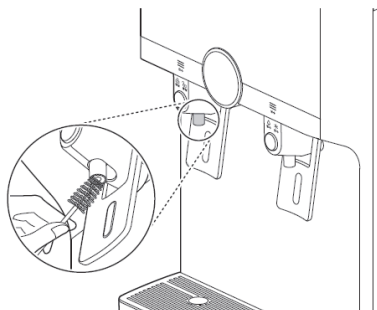


Cleaning the Appliance

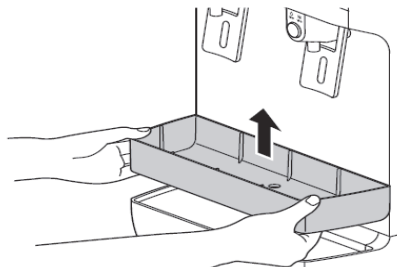
Cleaning the Exterior

Use a soft wet towel to clean the exterior of the appliance.

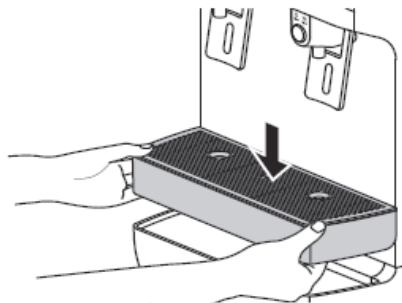
- Use a neutral detergent, wipe it with a clean towel to remove stains.
- Do not use a rough brush, or detergents such as toothpaste, alcohol, thinner, bleach, benzene, flammable liquid or polish etc., to remove adhesive marks or hand prints on the surface of the appliance. This can cause discoloration of the appliance or the damage to the appliance.
- Clean the water outlet periodically with a soft cleaning brush. If not cleaned periodically, the water outlet may be polluted by the components of lint and lime (e.g. calcium and magnesium) or foreign substances.



- 2 Remove the water tray by pulling it upward.

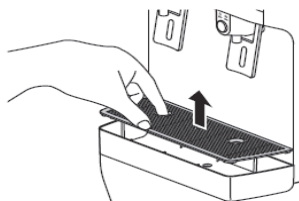


- 3 Clean it with water.
- 4 Wipe the surface of the water tray with a soft cloth to dry the water tray.
- 5 Place the water tray on the appliance and fit the water tray cover onto the tray.



Cleaning the Water Tray

- 1 Separate the water tray cover by pulling it upward.



Maintaining the Filter

Filter Name	Sediment filter	Pre carbon block filter	UF membrane filter	Post carbon block filter
Place of origin	Korea	Korea	Korea	Korea
Manufacturer	LG Electronics	LG Electronics	LG Electronics	LG Electronics
Filter material	PP module	Activated carbon + Polyethylene	Polysulfone	Activated carbon + Polyethylene
Effective amount of water filtration	1,920 L			

TROUBLESHOOTING

EN

Symptoms	Possible Causes & Solution
Water tastes strange.	<p>Have you left the water purifier for a long period of time without using it?</p> <ul style="list-style-type: none"> The taste of old water may change due to bacterial growth. Use the appliance after dispensing and discharging hot, cold, and ambient water from the appliance 10 minutes.
	<p>Has it been a long time since you installed and replaced the filter?</p> <ul style="list-style-type: none"> If an expired filter is used, the filtration performance may decline. It is recommended to replace the filter according to the filter replacement period.
The filtration amount has reduced suddenly.	<p>Is it time to replace the filter?</p> <ul style="list-style-type: none"> Make a request for a filter replacement.
	<p>Is the water supply valve closed?</p> <ul style="list-style-type: none"> Open the water supply valve.
Water is not dispensed.	<p>Did you miss the filter replacement period?</p> <ul style="list-style-type: none"> Make a request for a filter replacement.
	<p>Is the water supply valve closed?</p> <ul style="list-style-type: none"> Open the water supply valve.
	<p>Is the power plug unplugged from the outlet?</p> <ul style="list-style-type: none"> Plug the power plug in the outlet correctly.
	<p>Is water not dispensed when you press the discharge button?</p> <ul style="list-style-type: none"> Contact your distributor, supplier or dealer.
Cold water or hot water is not dispensed.	<p>Did you turn off the relevant function?</p> <ul style="list-style-type: none"> Turn on the relevant function.
	<p>Did you discharge a large amount of cold water?</p> <ul style="list-style-type: none"> If you have discharged a lot of cold water so that there is little water in the storage tank, cold water may not be dispensed. Wait a while until water is filled inside the storage tank and then use. (Only applicable to models with a storage tank) If you discharge a large amount of cold water at once, the temperature of cold water inside the cold water tank will rise. Wait a while until water becomes colder and then use. (Only applicable to models with a cooling tank)
The appliance is noisy and generates abnormal sounds.	<p>Is the appliance installed on a weak floor or not installed on a stable surface?</p> <ul style="list-style-type: none"> Install the appliance in a place with a flat and even surface.
	<p>Does the rear of the appliance touch the wall?</p> <ul style="list-style-type: none"> Adjust the installation position to ensure the sufficient space of 10 cm between the appliance and the wall.
	<p>Is an object placed on top of the appliance?</p> <ul style="list-style-type: none"> Remove the object placed on top of the appliance.
Fine particles occur in the filtered water.	<p>Did water bubbles form?</p> <ul style="list-style-type: none"> Water bubbles may form in the draining process. It is safe for you to drink. If fine particles still exist after you take water from the water purifier and several minutes have passed, cut off the tap water and power supply. Contact your distributor, supplier or dealer.

Memo

Memo

Memo

